



Network

PTZ

XNP-8250R

6MP 25x IR PTZ Camera



Key Features

- Max. 6MP resolution
- 5~125mm (25x) optical zoom (digital 32x, total 800x zoom)
- Max. IR viewable length 200m (Wise IR)
- Day & Night (ICR), extreme WDR (120dB), DIS (Built-in gyro sensor)
- Intelligent Analytics, Object auto tracking (Person/Vehicle), Target lock tracking
- H.264, H.265, MJPEG codec, WiseStreamII
- IP66, IK10, NEMA4X, NEMA-TS 2 (2.2.8, 2.2.9)
- PTZ PLUS Design applied (Compact, Lighter, Simple cabling)
- SFP-supported by injector

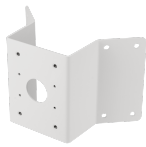
Compatible Accessories (Optional)



SBP-156CMW



SBP-156HMW



SBP-156KMW



SBP-156LMW



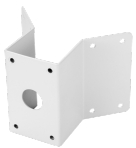
SBP-156WMW



SBP-300BW



SBP-300CMW



SBP-300KMW



SBP-300LMW



SBP-300PMW



SBP-300WMW



SBP-300WMW1



SPB-PTZ85W



SPM-4210

XNP-8250R

6MP 25x IR PTZ Camera



Specifications

Video	
Imaging Device	1/2.8" CMOS
Resolution	3328x1872, 3072x1728, 2592x1944, 2688x1520, 1920x1080, 1600x1200, 1280x1024, 1280x960, 1280x720, 1024x768, 800x600, 800x448, 720x576, 720x480, 640x480, 640x360, 320x240
Max. Framerate	H.265/H.264: Max. 30fps/25fps(60Hz/50Hz) MJPEG: Max. 30fps/25fps(60Hz/50Hz)
NETD	None
Pixel Size	None
Min. Illumination	Color: 0.1Lux(F1.6, 1/30sec) BW: 0Lux(IR LED On)
Video Out	None
Video Transmission Distance	None
Lens	
Focal Length (Zoom Ratio)	5~125mm(25x) zoom (digital 32x, total 800x zoom)
Max. Aperture Ratio	F1.6(Wide)~F3.73(Tele)
Angular Field of View	H: 57.42°(Wide)~2.71°(Tele) / V: 33.54°(Wide)~1.55°(Tele)
Min. Object Distance	3m(9.84ft)
Focus Control	Oneshot AF, Focus save
Lens Type	DC auto iris
Mount Type	None
Optional Lens	None
Pan / Tilt / Rotate	
Pan / Tilt / Rotate Range	None
Pan Range	360° Endless
Pan Speed	Max. 700°/sec, Manual: 0.024°/sec~250°/sec
Tilt Range	110°(-20°~90°)
Tilt Speed	Max. 500°/sec, Manual: 0.024°/sec~250°/sec
Rotate Range	None
Sequence	Preset(300ea), Swing, Group(6ea), Trace, Tour, Auto Run, Schedule
Preset Accuracy	Up to ±0.1°, Pan/Tilt correction
Operational	
Camera Title	Displayed up to 85 characters
Direction Indicator	Support
Day & Night	Auto(ICR)/Color/BW/Schedule
Backlight Compensation	BLC, HLC, WDR, SSSDR
Wide Dynamic Range	Extreme WDR(120dB)
Digital Noise Reduction	SSNR V

Design and specifications are subject to change without notice. The latest product information / specification can be found at hanwha-security.com

Digital Image Stabilization	Support(built-in gyro sensor)
Defog	Support
Motion Detection	8ea, 8point polygonal zones
Privacy Masking	32ea, Quadrangle Support - Color: Grey/Green/Red/Blue/Black/White - Mosaic
Gain Control	Low / Middle / High
White Balance	ATW / AWC / Manual / Indoor / Outdoor
LDC	None
Electronic Shutter Speed	Minimum / Maximum / Anti flicker (2~1/12,000sec)
Digital PTZ	None
Video Rotation	Flip, Mirror
Analytics	Directional detection, Fog detection, Face detection, Motion detection, Appear/Disappear, Enter/Exit, Loitering, Tampering, Virtual line, Shock detection * Audio detection, Sound classification(with NW I/O Box)
Business Intelligence	None
Serial Interface	None
Alarm I/O	None
Alarm Triggers	Analytics, Network disconnect * Alarm input(with NW I/O Box)
Alarm Events	File upload via FTP and e-mail Notification via e-mail SD/SDHC/SDXC or NAS recording at event triggers PTZ Preset Handover * Alarm output(with NW I/O Box)
Audio Streaming	None
Audio In	None
Audio Out	None
IR Viewable Length	200m(656.17ft), Wise IR
IR Illuminator (Optional)	None
IR Radiation angle	None
IR LED	None
IR Wavelength	None
IR Operation	None
Water Removal	Support(Spinning dry)
Auto Tracking	Object auto tracking(Person/Vehicle), Target lock tracking
Coaxial Protocol	None
Color Palettes	None
Radiometry	
Temperature Detect Range	None
Temperature Accuracy	None
Temperature Detection	None
Additional	None
Network	
Ethernet	Metal shielded RJ-45(10/100BASE-T)
Video Compression	H.265/H.264: Main/Baseline/High, MJPEG
Audio Compression	None
Smart Codec	Manual(5ea area), WiseStream II

Video Quality Adjustment	H.264/H.265: Target bitrate level control MJPEG: Target bitrate level control
Bitrate Control	H.264/H.265: CBR or VBR MJPEG: VBR
Streaming	Unicast(20 users) / Multicast (128 user) Multiple streaming(Up to 10 profiles)
Protocol	IPv4, IPv6, TCP/IP, UDP/IP, RTP(UDP), RTP(TCP), RTCP,RTSP, NTP, HTTP, HTTPS, SSL/TLS, DHCP, FTP, SMTP, ICMP, IGMP, SNMPv1/v2c/v3(MIB-2), ARP, DNS, DDNS, QoS, PIM-SM, UPnP, Bonjour,LLDP, SRTP, NTCIP
SIP support (VoIP, Peer-to-peer, SIP/PBX integration)	None
Security	HTTPS(SSL) Login Authentication Digest Login Authentication IP Address Filtering User access log 802.1X Authentication(EAP-TLS, EAP-LEAP) Device certificate(Hanwha Techwin Root CA)
Application Programming Interface	ONVIF Profile S/G/T SUNAPI(HTTP API) Wisenet open platform

General

Webpage Language	English, Korean, Chinese, French, Italian, Spanish, German, Japanese, Russian, Swedish, Portuguese, Czech, Polish, Turkish, Dutch, Hungarian, Greek
Web Viewer	None
Edge Storage	Micro SD/SDHC/SDXC 2slot 1TB
Memory	4GB RAM, 512MB Flash

Environmental & Electrical

Operating Temperature / Humidity	-40°C~+55°C(-40°F ~ +131°F) / +74°C (+165°F) (MAX) based on NEMA-TS 2(2.2.7) * Start up should be done at above -30°C Less than 95% RH(Non-condensing)
Storage Temperature / Humidity	-50°C ~ +60°C (-58°F ~ +140°F) / Less than 90% RH
Certification	IP66, IK10, NEMA4X, NEMA-TS 2(2.2.8, 2.2.9)
Input Voltage	HPoE(IEEE802.3bt, Class6, Type3, Injector included)
Power Consumption	Typical 20W, Max 40W

Mechanical

Color / Material	Body : White / Aluminum Head : Black / Polycarbonate Hard-coated dome
RAL Code	White: RAL9003 / Black: RAL9005
Product Dimensions / Weight	ø158x293.3mm(6.22x11.55") / 3.2Kg(7.05lb)
Compatible Conduit hole / Gangbox	None
Hanging Mount (Dome)	None
Skin Cover	None
Skin Cover (Dome)	None
Weather Cap (Dome)	None
Power Module	None
Backbox	None

Certifications & Standards

Network	None
EMC	None
Safety	None
Environment	None

Video	None
-------	------

DORI (EN62676-4 standard)

Detect (25PPM/ 8PPF)	Wide: 121.5m(398.7ft) / Tele: 2813.9m(9232.1ft)
Observe (63PPM/ 19PPF)	Wide: 48.6m(159.5ft) / Tele: 1125.6m(3692.8ft)
Recognize (125PPM/ 38PPF)	Wide: 24.3m(79.7ft) / Tele: 562.8m(1846.4ft)
Identify (250PPM/ 76PPF)	Wide: 12.2m(39.9ft) / Tele: 281.4m(923.2ft)

LPR/ANPR/MMCR

Speed Description	None
Speed limit	None
Min. Forward Distance	None
Max. Forward Distance	None
Max. Horizontal Angle	None
Max. Vertical Angle	None
Horizontal Offset	None
Camera Height	None
Lane Coverage	None
Vehicle Recognition	None
Available Countries	None

Wisenet Road AI LPR/ANPR/MMCR

Solution	None
Speed Description	None
Lane Coverage	None
Speed limit	None
Min. Forward Distance	None
Max. Forward Distance	None
Max. Horizontal Angle	None
Max. Vertical Angle	None
Horizontal Offset	None
Camera Height	None
Vehicle Recognition	None
Available Countries	None

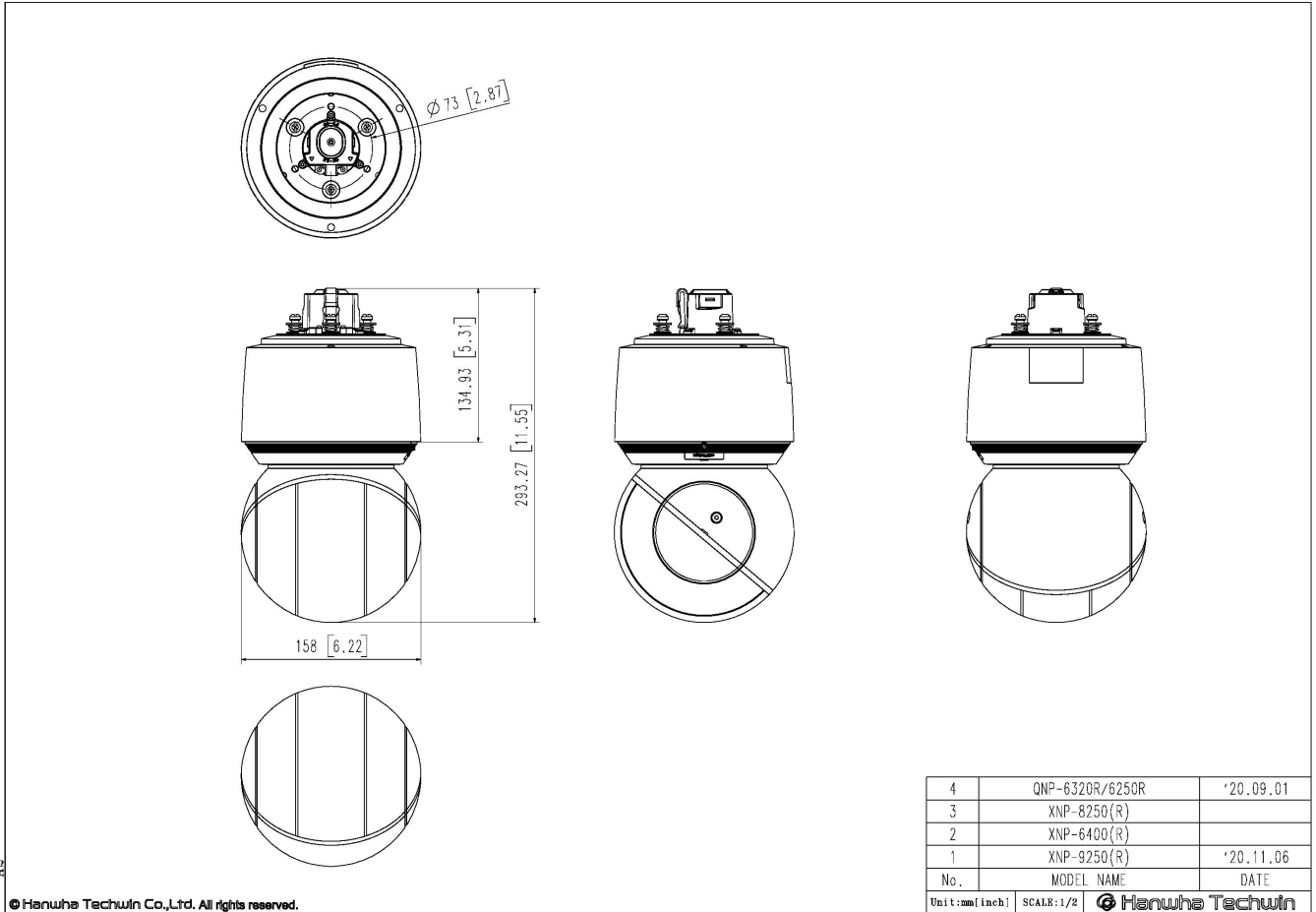
XNP-8250R

6MP 25x IR PTZ Camera



CAD

Unit:mm [inch]



A2

© Hanwha Techwin Co.,Ltd. All rights reserved.